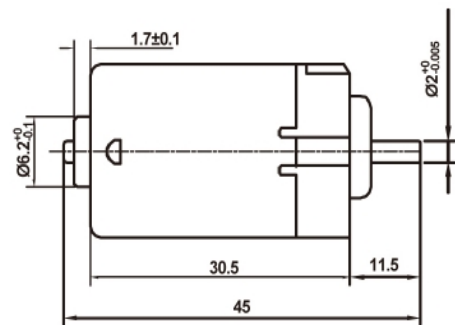
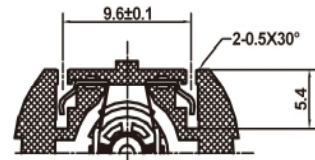
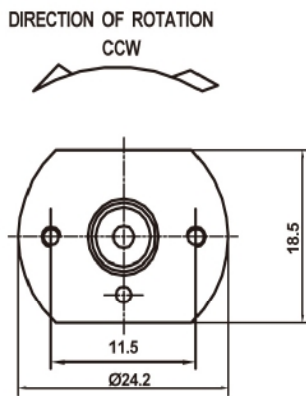




Model	Voltage		No Load		At Maximum Efficiency				Stall			
	Operating Range	Nominal	Speed	Current	Speed	Current	Torque		Output	Torque		Current
			RPM	A	RPM	A	g.cm	mN.m	W	g.cm	mN.m	A
LDM-280SA	6~12VDC	12.0VDC	13000	0.23	10183	0.83	52	5.09	5.54	240	23.5	3.0
LDM-280SA	6~13VDC	13.0VDC	12580	0.13	10413	0.63	42	4.11	4.59	245	24	3.0

**Drawing**



WEIGHT:21g

上述尺寸单位:mm

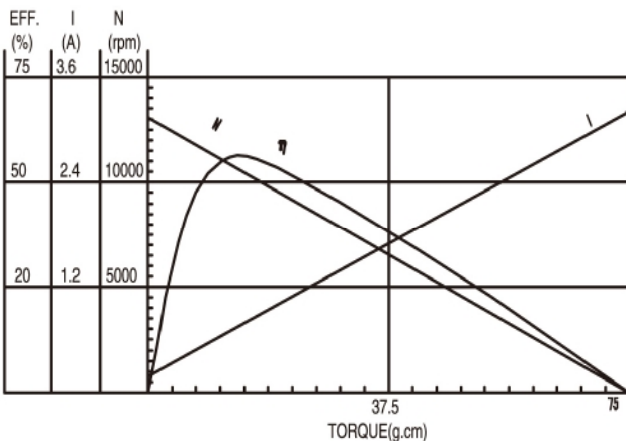
**Performance Curve** **Description**

LDM-280SA

——12.0V

**Application:**  
 Hair dryer, paper shredder, electric tools  
 air pump, water pump, household appliances.  
 personal care products.

**典型应用:**  
 吹风机, 碎纸机, 电动工具  
 气泵, 水泵, 家用电器等。



**P. S. :**

The above motor performance is only for reference purposes. We can design the motors according to customers' requirements of specific motor parameters, shaft length, lifetime etc.

**备注:**

上述电机性能仅供参考, 具体电机性能参数, 轴长, 寿命要求, 各项认证要求可根据客户的实际要求进行设计。