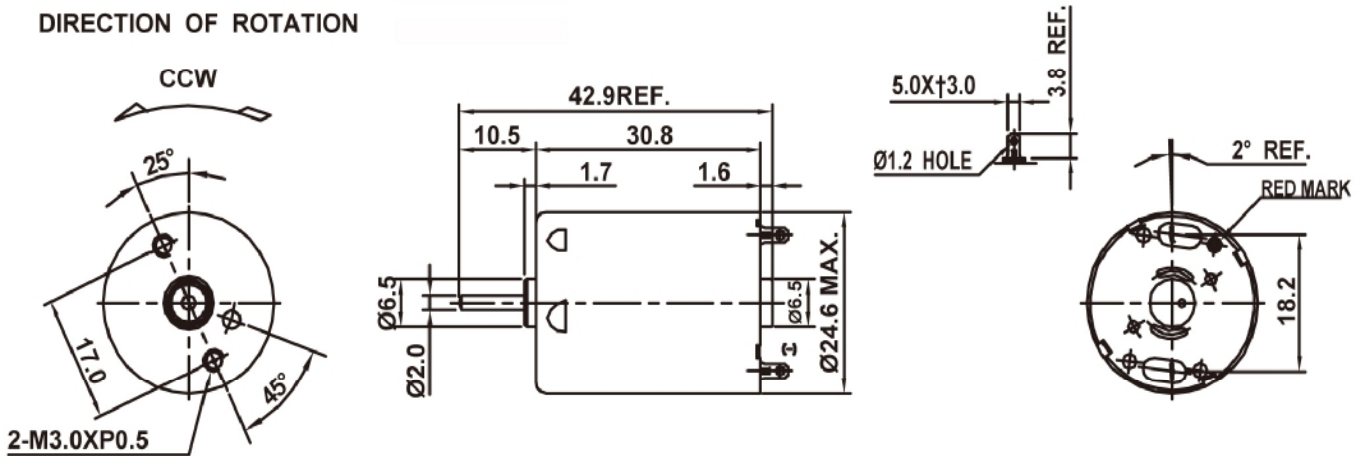




Model	Voltage		No Load		At Maximum Efficiency				Stall			
	Operating Range	Nominal	Speed	Current	Speed	Current	Torque		Output	Torque		Current
			RPM	A	RPM	A	g.cm	mN.m	W	g.cm	mN.m	A
LDM-370SH-10800	15~27V	24.0V Constant	5200	0.02	4300	0.09	29.7	2.91	1.32	172.3	16.89	0.44
LDM-370SH-21190	4.5~9.5V	9.0V Constant	8000	0.04	6900	0.26	21.5	2.10	1.51	150.0	14.7	1.54
LDM-370SH-09900	6~18V	12.0V Constant	2300	0.01	1850	0.04	14.8	1.45	0.28	76.5	7.50	0.17

Drawing

DIRECTION OF ROTATION

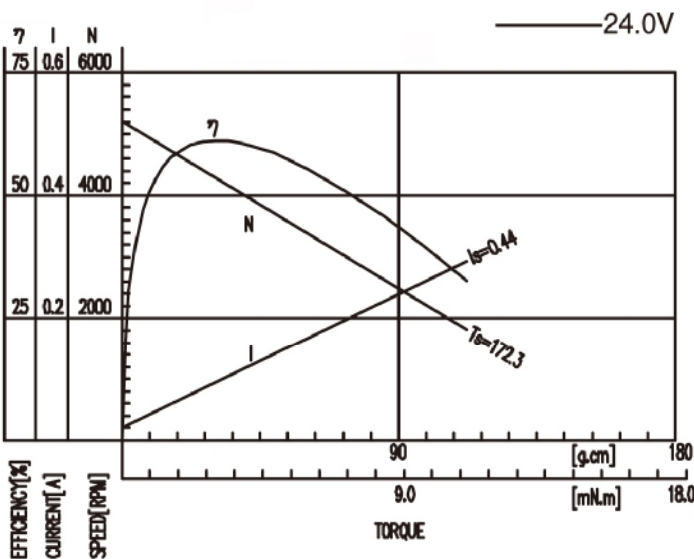


上述尺寸单位:mm

WEIGHT:50g(APPROX)

Performance Curve

LDM-370SH-10080



Description

Application:

Hair dryer, paper shredder, electric tools
 air pump, water pump, household appliances.
 personal care products.

典型应用:

吹风机, 碎纸机, 电动工具
 气泵, 水泵, 家用电器等。

P. S. :

The above motor performance is only for reference purposes. We can design the motors according to customers' requirements of specific motor parameters, shaft length, lifetime etc.

备注:

上述电机性能仅供参考, 具体电机性能参数, 轴长, 寿命要求, 各项认证要求可根据客户的实际要求进行设计。