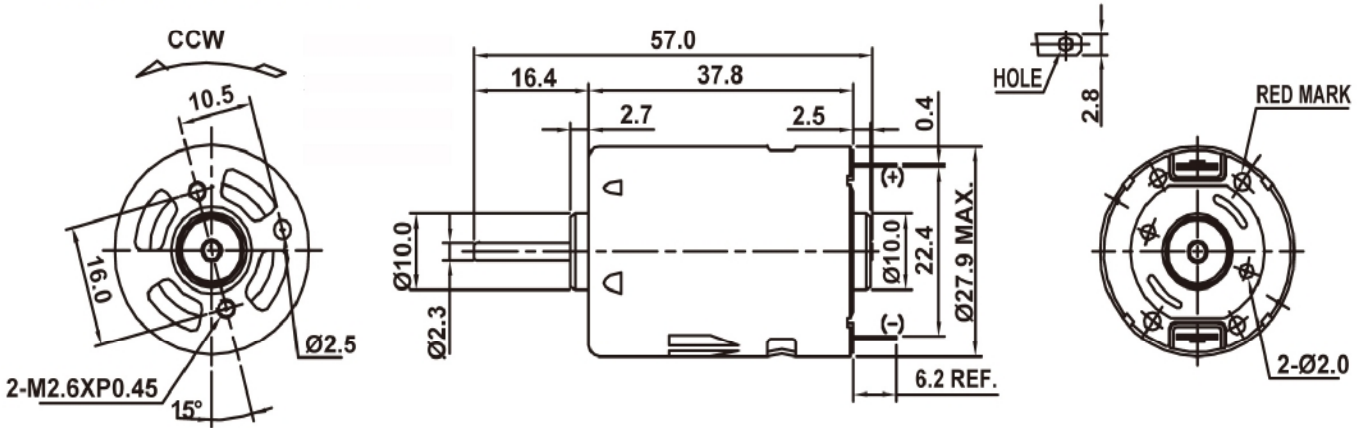




Model	Voltage		No Load		At Maximum Efficiency				Stall			
	Operating Range	Nominal	Speed	Current	Speed	Current	Torque		Output	Torque		Current
			RPM	A	RPM	A	g.cm	mN.m	W	g.cm	mN.m	A
LDM-385SH-16120	12~30V	24V Constant	11300	0.12	9200	0.55	90.0	8.82	8.53	500.0	49.0	2.51
LDM-385SH-20080	12~24V	20V Constant	14800	0.16	11800	1.13	123.0	12.06	14.4	600.0	58.8	5.01
LDM-385SH-40050	2.4~12V	4.8V Constant	7600	0.31	6600	2.0	100.3	9.83	6.76	747.2	73.22	12.86
LDM-380SH-32070	3.0~12V	12V Constant	17600	0.285	15000	2.04	110	10.78	16.94	744.5	72.96	11.8

Drawing

DIRECTION OF ROTATION



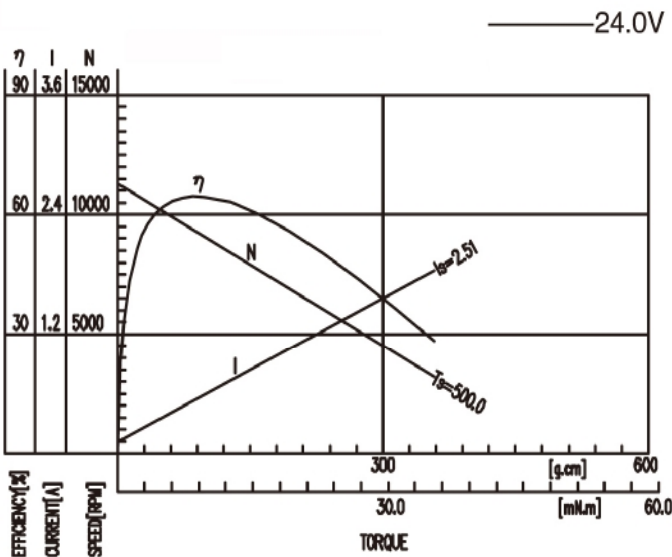
WEIGHT:70g(APPROX)

上述尺寸单位:mm

Performance Curve

Description

LDM-385SH-16120DA



Application:

Hair dryer, paper shredder, electric tools
 air pump, water pump, household appliances,
 personal care products.

典型应用:

吹风机, 碎纸机, 电动工具
 气泵, 水泵, 家用电器等。

P. S. :

The above motor performance is only for reference purposes. We can design the motors according to customers' requirements of specific motor parameters, shaft length, lifetime etc.

备注:

上述电机性能仅供参考, 具体电机性能参数, 轴长, 寿命要求, 各项认证要求可根据客户的实际要求进行设计。