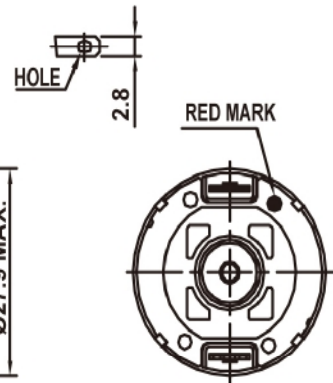
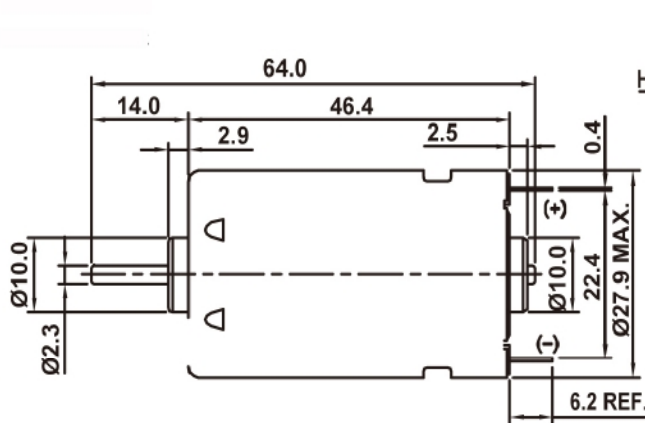
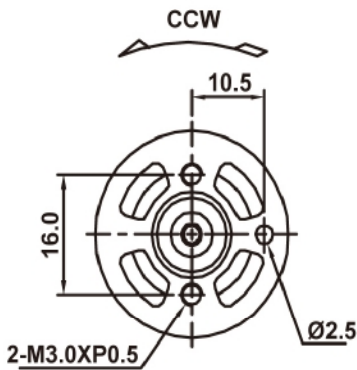




Model	Voltage		No Load		At Maximum Efficiency				Stall			
	Operating Range	Nominal	Speed	Current	Speed	Current	Torque		Output	Torque		Current
			RPM	A	RPM	A	g.cm	mN.m	W	g.cm	mN.m	A
LDM-390SH-45032	6.0~12V	9.0V Constant	18200	0.57	16000	4.18	162.7	15.94	26.68	1360	133.3	30.88
LDM-390SH-50026	6.0~9.6V	9.6V Constant	23800	0.85	20900	6.13	192.1	18.80	41.14	1583	155.2	44.44
LDM-390SH-20652	4.5~30V	28V Constant	18900	0.23	16500	1.59	189.1	18.53	32.06	1500	147	11.1

Drawing

DIRECTION OF ROTATION



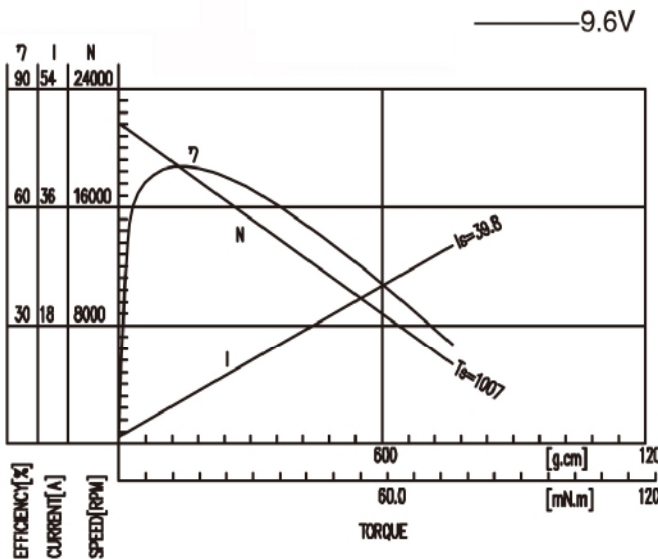
WEIGHT:100g(APPROX)

上述尺寸单位:mm

Performance Curve

Description

LDM-390SH-55026



Application:

Hair dryer, paper shredder, electric tools
 air pump, water pump, household appliances.

典型应用:

吹风机, 碎纸机, 电动工具
 气泵, 水泵, 家用电器等。

常用的标准轴长: 61/64/66/72mm
 Standard shaft length: 61/64/66/72mm

P. S. :

The above motor performance is only for reference purposes. We can design the motors according to customers' requirements of specific motor parameters, shaft length, lifetime etc.

备注:

上述电机性能仅供参考, 具体电机性能参数, 轴长, 寿命要求, 各项认证要求可根据客户的实际要求进行设计。