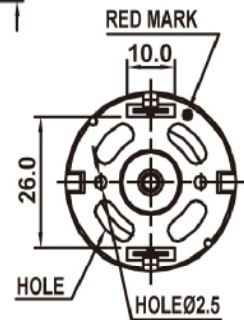
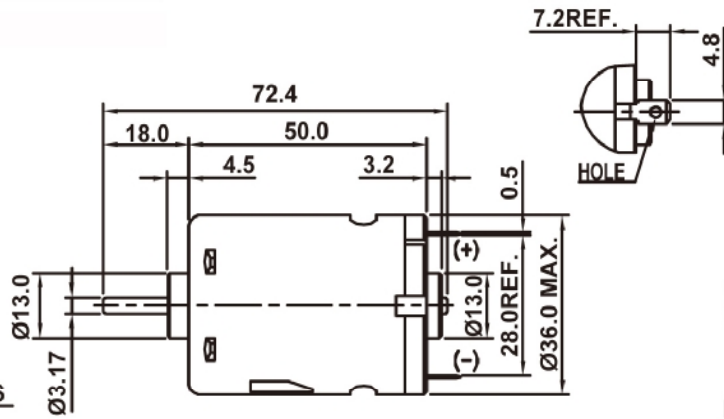
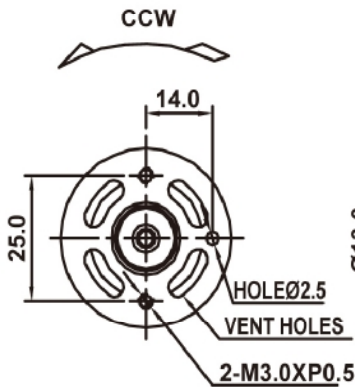




Model	Voltage		No Load		At Maximum Efficiency				Stall			
	Operating Range	Nominal	Speed	Current	Speed	Current	Torque		Output	Torque		Current
			RPM	A	RPM	A	g.cm	mN.m	W	g.cm	mN.m	A
LDM-540SA-50055	6.0~15.0V	12V Constant	13900	0.59	12100	4.07	265.1	26.0	33.05	2106.7	206.5	28.28
LDM-545SA-75019	9.6~14V	12V Constant	5100	0.22	4200	1.04	167.6	16.43	7.24	960.3	94.15	4.9

Drawing

DIRECTION OF ROTATION

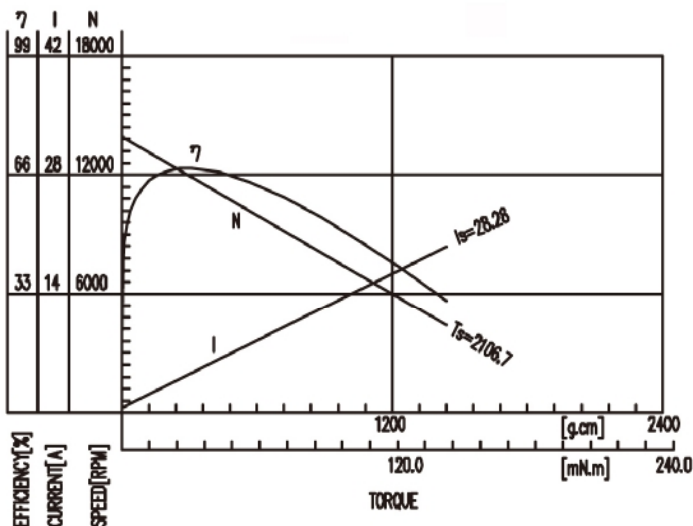


WEIGHT:145g(APPROX)

上述尺寸单位:mm

Performance Curve

LDM-540SA-50055



Description

Application:

Cordless electric toys, electric tools, hair dryer, vacuum cleaner, multi-mixer, Food processor, Household appliances, Air pump, water pump, etc.

典型应用

无绳电动玩具, 电动工具, 吹风机, 吸尘器, 搅拌机 etc. 家用电器, 气泵, 水泵等。

常用的标准轴长: 67/71/72.4/75/76mm

P. S. :

Standard shaft length: 67/71/72.4/75/76mm

The above motor performance is only for reference

purposes. We can design the motors according to customers' requirements of specific motor parameters, shaft length, lifetime etc.

备注:

上述电机性能仅供参考, 具体电机性能参数, 轴长, 寿命要求, 各项认证要求可根据客户的实际要求进行设计。