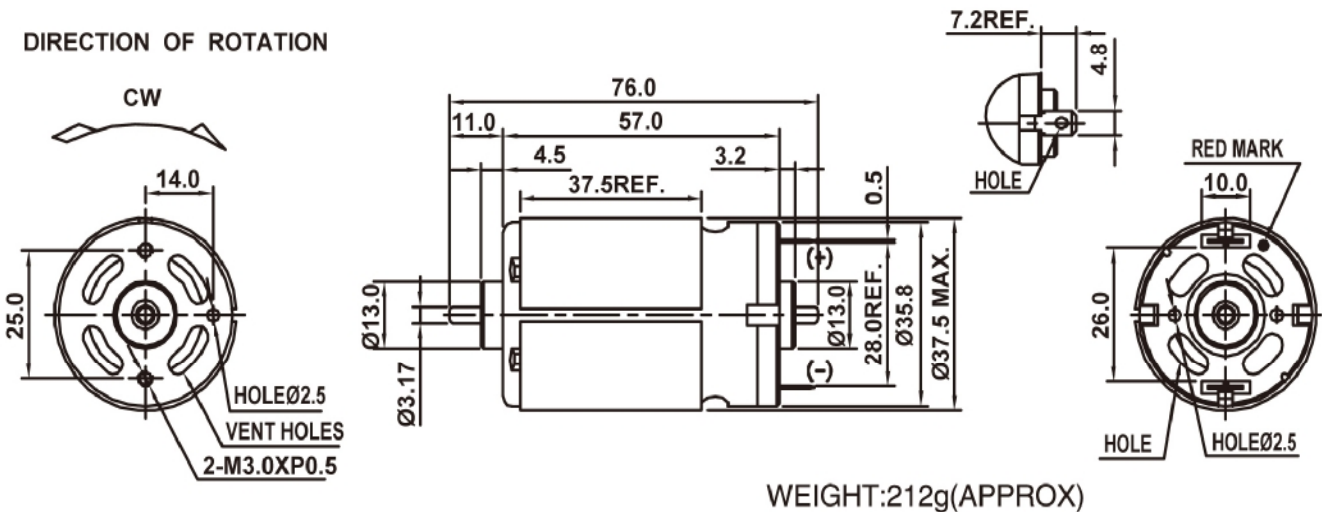




Model	Voltage		No Load		At Maximum Efficiency				Stall			
	Operating Range	Nominal	Speed	Current	Speed	Current	Torque		Output	Torque		Current
			RPM	A	RPM	A	g.cm	mN.m	W	g.cm	mN.m	A
LDM-550SA-75020	2.4~9.6V	3.6V Constant	7450	1.04	6400	6.75	252.0	24.7	16.6	1882.6	184.5	43.65
LDM-555SA-20120	15~36V	24V Constant	4850	0.1	4100	0.55	191.8	18.8	8.07	1234	121	2.97

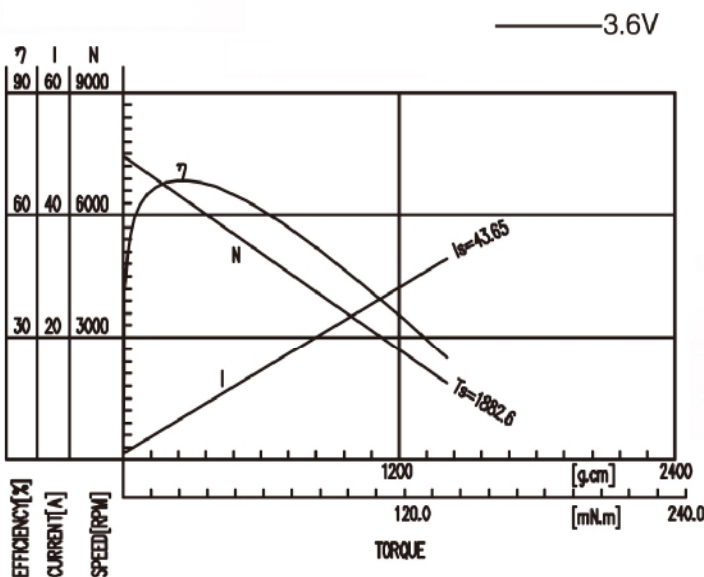
Drawing



上述尺寸单位:mm

Performance Curve

LDM-550SA-75020



Description

Application:

Cordless electric toys, electric tools, hair dryer, vacuum cleaner, multi-mixer, Food processor, Household appliances, Air pump, water pump, etc.

典型应用

无绳电动玩具, 电动工具, 吹风机, 吸尘器, 搅拌机 etc. 家用电器, 气泵, 水泵等。

常用的标准轴长: 75/76/81mm
 Normal shaft length: 75/73/81mm

P. S. :

The above motor performance is only for reference purposes. We can design the motors according to customers' requirements of specific motor parameters, shaft length, lifetime etc.

备注:

上述电机性能仅供参考, 具体电机性能参数, 轴长, 寿命要求, 各项认证要求可根据客户的实际要求进行设计。