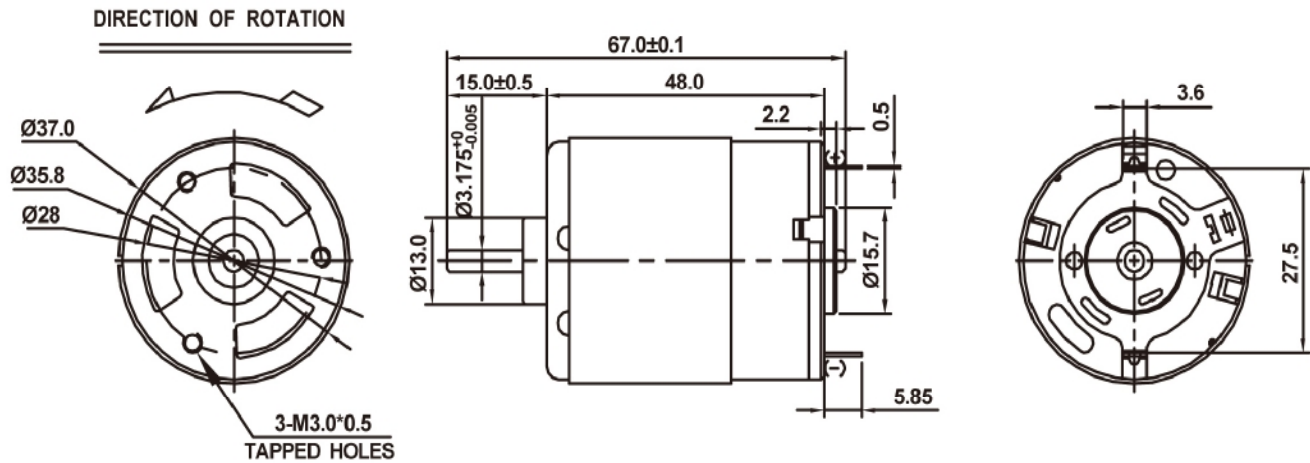




Model	Voltage		No Load		At Maximum Efficiency				Stall			
	Operating Range	Nominal	Speed	Current	Speed	Current	Torque		Output	Torque		Current
			RPM	A	RPM	A	g.cm	mN.m	W	g.cm	mN.m	A
LDM-5412SA-12105	30~120	60VConstant	9200	0.09	7471	0.26	150.4	14.75	11.5	800	78.4	1.12
LDM-5412SA-18065	30~60	60VConstant	14200	0.15	12083	0.6	190.8	18.7	23.7	1280	125.4	3.42

Drawing



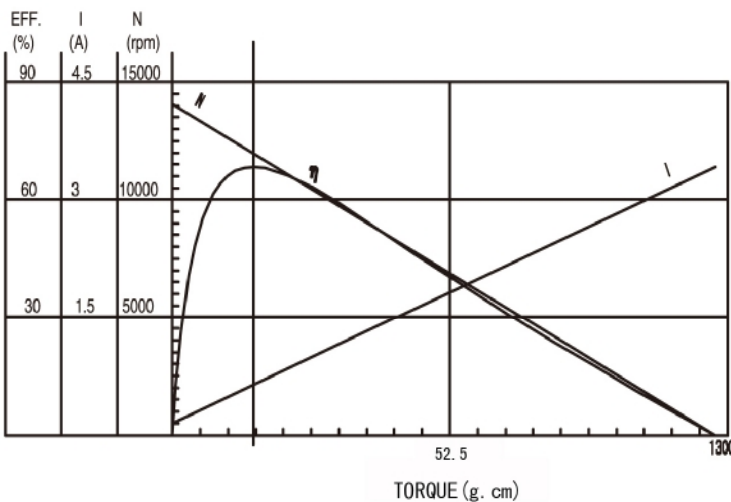
上述尺寸单位:mm

Performance Curve

Description

LDM-5412SA-18065

60V



Application:

Hair dryer, paper shredder, electric tools
 air pump, water pump, household appliances.
 personal care products.

典型应用:

吹风机, 碎纸机, 电动工具
 气泵, 水泵, 家用电器等。

P. S. :

The above motor performance is only for reference purposes. We can design the motors according to customers' requirements of specific motor parameters, shaft length, lifetime etc.

备注:

上述电机性能仅供参考, 具体电机性能参数, 轴长, 寿命要求, 各项认证要求可根据客户的实际要求进行设计。