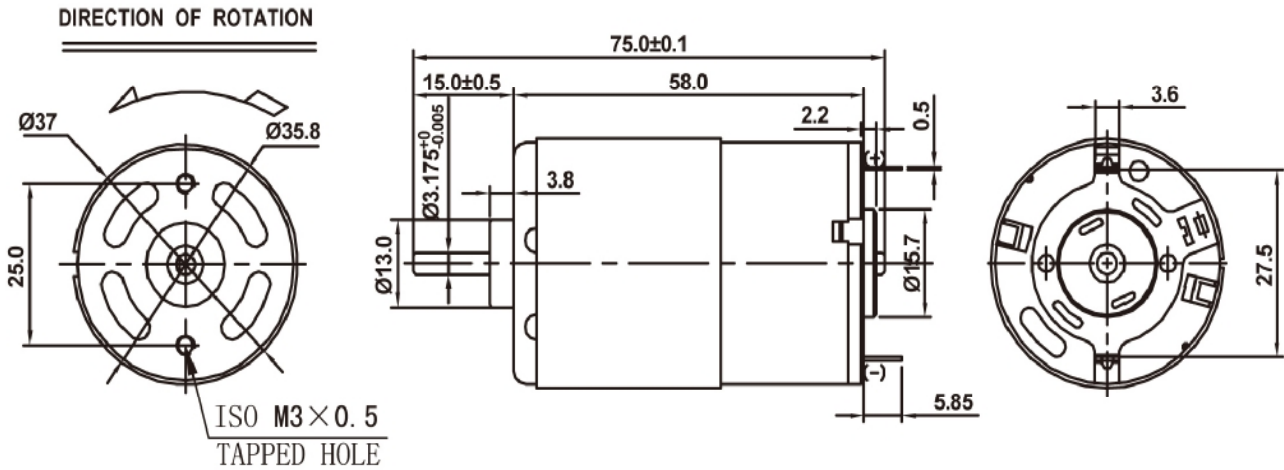




Model	Voltage		No Load		At Maximum Efficiency				Stall			
	Operating Range	Nominal	Speed	Current	Speed	Current	Torque		Output	Torque	Current	
			RPM	A	RPM	A	g.cm	mN.m	W	g.cm	mN.m	A
LDM-5512SA-09220	100~240	230VConstant	12900	0.039	11206	0.16	262.7	25.75	30.2	2000	196	1.05

**Drawing**



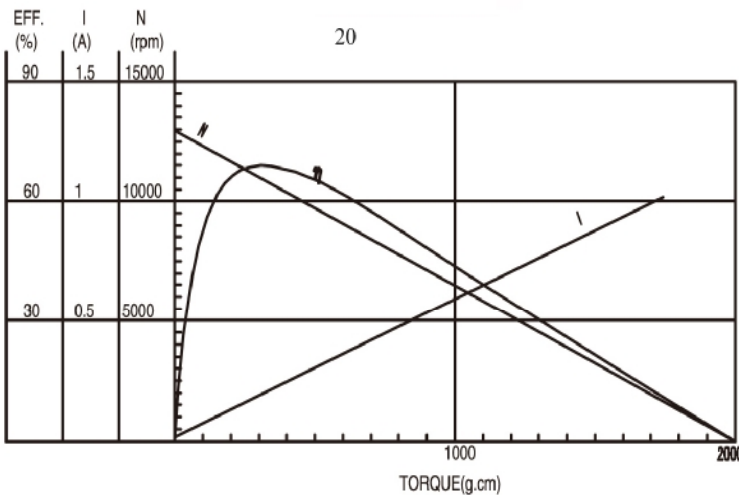
WEIGHT 200g (APPROX)

上述尺寸单位:mm

**Performance Curve** **Description**

LDM-5512SA-09220

— 230V



Application:

Hair dryer, paper shredder, electric tools  
 air pump, water pump, household appliances.  
 personal care products.

典型应用:

吹风机, 碎纸机, 电动工具  
 气泵, 水泵, 家用电器等。

P. S. :

The above motor performance is only for reference purposes. We can design the motors according to customers' requirements of specific motor parameters, shaft length, lifetime etc.

备注:

上述电机性能仅供参考, 具体电机性能参数, 轴长, 寿命要求, 各项认证要求可根据客户的实际要求进行设计。