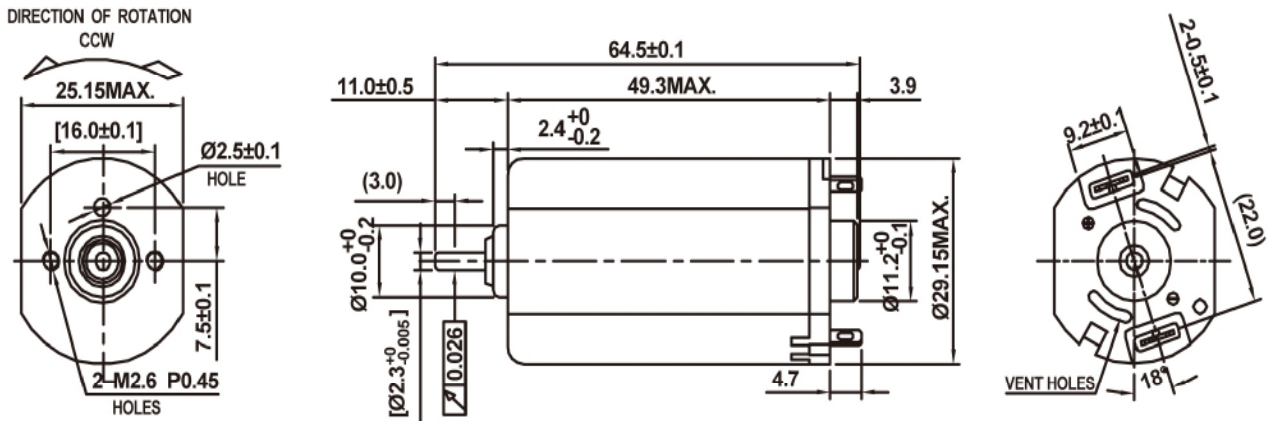




Model	Voltage		No Load		At Maximum Efficiency				Stall			
	Operating Range	Nominal	Speed	Current	Speed	Current	Torque		Output	Torque		Current
			RPM	A	RPM	A	g.cm	mN.m	W	g.cm	mN.m	A
LDM-F400DP-06785	100~120	120VConstant	6500	0.03	4600	0.085	106.4	10.43	5.03	373.2	36.58	0.22
LDM-F400DP-06E00	100~240	230VConstant	6800	0.03	4800	0.06	111.5	10.93	5.48	376.8	36.94	0.15

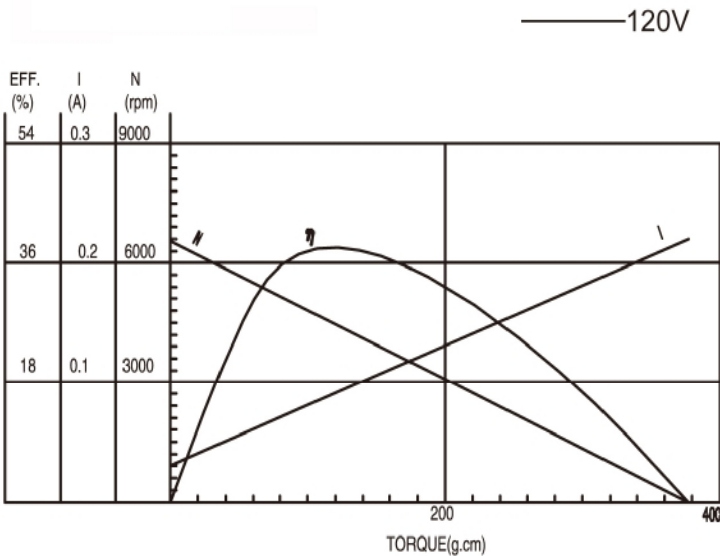
Drawing



上述尺寸单位:mm

Performance Curve **Description**

LDM-F400DP-06785AA



Application:

Hair dryer, paper shredder, electric tools
 air pump, water pump, household appliances.
 personal care products.

典型应用:

吹风机, 碎纸机, 电动工具
 气泵, 水泵, 家用电器等。

P. S. :

The above motor performance is only for reference purposes. We can design the motors according to customers' requirements of specific motor parameters, shaft length, lifetime etc.

备注:

上述电机性能仅供参考, 具体电机性能参数, 轴长, 寿命要求, 各项认证要求可根据客户的实际要求进行设计。