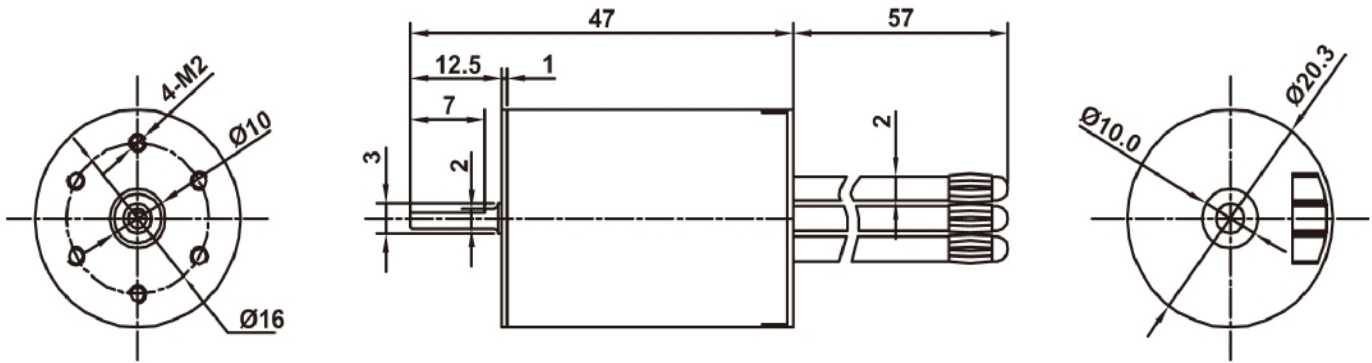




Model	Voltage		No Load		At Maximum Efficiency				Stall			
	Operating Range	Nominal	Speed	Current	Speed	Current	Torque		Output	Torque		Current
			RPM	A	RPM	A	g.cm	mN.m	W	g.cm	mN.m	A
LDM-2035BM	4.5-9.0VDC	7.2VDC	43900	1.2	38330	8.25	123.8	12.13	110	975	95.58	56.8

**Drawing**

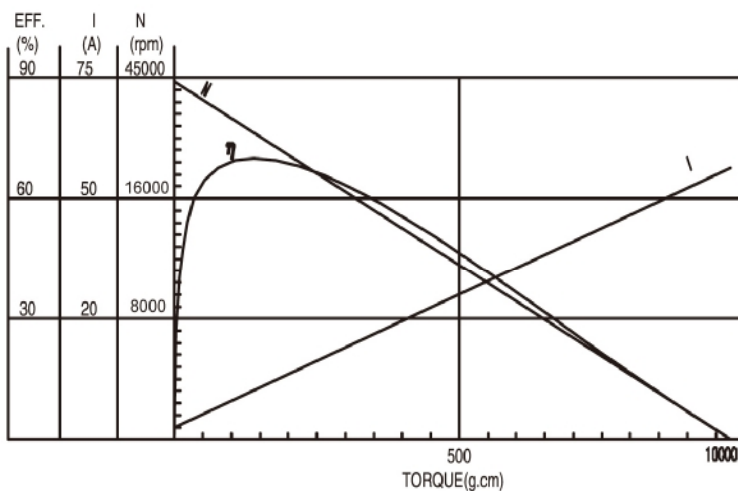


上述尺寸单位:mm

**Performance Curve**

LDM-2035BM

——7.2V



**Description**

Application: Car, model airplane, high quality toys, hair dryer, etc.

典型应用: 汽车, 航模, 高级玩具, 吹风机等。

P. S. :

The above motor performance is only for reference purposes. We can design the motors according to customers' requirements of specific motor parameters, shaft length, lifetime etc.

备注:

上述电机性能仅供参考, 具体电机性能参数, 轴长, 寿命要求, 各项认证要求可根据客户的实际要求进行设计。