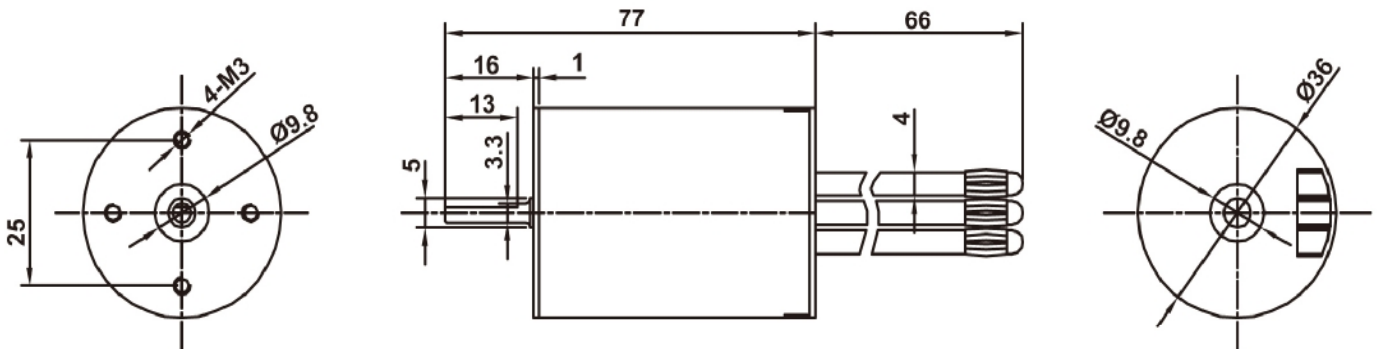




Model	Voltage		No Load		At Maximum Efficiency				Stall			
	Operating Range	Nominal	Speed	Current	Speed	Current	Torque		Output	Torque	Current	
			RPM	A	RPM	A	g.cm	mN.m	W	g.cm	mN.m	A
LDM-3661BM-A	4.5-9.0VDC	7.2VDC	23900	3.3	20310	18.7	224	21.96	91.5	1493.7	146.5	105.6
LDM-3661BM-B	4.5-9.0VDC	7.2VDC	23200	4	20070	25.6	275	26.96	121.5	2041	200.09	164.5

Drawing



上述尺寸单位:mm

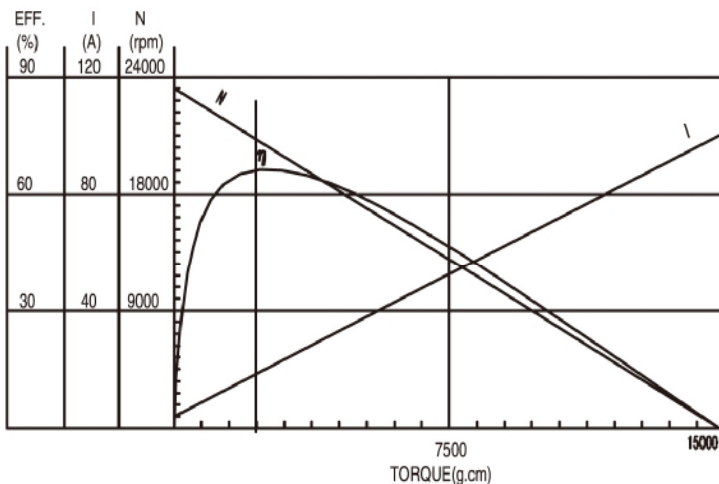
Performance Curve **Description**

LDM-3661BM-A

——7.2V

Application: Car, model airplane, high quality toys, hair dryer, etc.

典型应用: 汽车, 航模, 高级玩具, 吹风机等。



P. S. :

The above motor performance is only for reference purposes. We can design the motors according to customers' requirements of specific motor parameters, shaft length, lifetime etc.

备注:

上述电机性能仅供参考, 具体电机性能参数, 轴长, 寿命要求, 各项认证要求可根据客户的实际要求进行设计。