

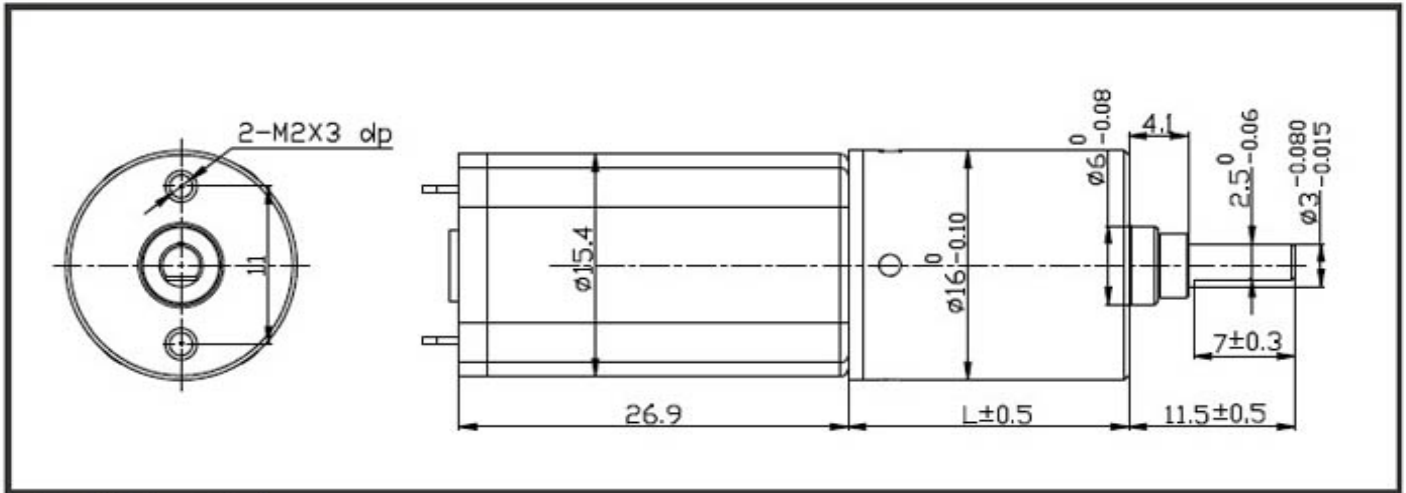
LDM-16PG



适用范围:

光学仪器、调焦照相机、指纹锁、自动节能器、水表IC卡、玩具礼品、办公设备、家用电器、自动执行器等。

Application: Optical instruments, Camera, Fingerprint locks  
Automatic energy-saving devices, Water meters IC card,  
Electric toys and gifts, etc.



Gear motor's technical specification

减速比 Ratio	1/4	1/4.75	1/16	1/19	1/22.5	1/64	1/76	1/90	1/107	1/256	1/304	1/361	1/428	1/509	1/1024	1/1216	1/1444	1/1714	1/2036	1/2418
6V 额定扭力 (gf.cm) Rated Torque	27	32	97	115	137	350	416	493	586	1250	1480	1760	2080	2480	4000	4000	4000	4000	4000	4000
6V 额定转速 (r/min) Rated Speed	1625	1369	407	343	289	102	85	72	61	25	21	18	15.2	12.8	6.3	5.4	4.5	3.8	3.2	2.7
9V 额定扭力 (gf.cm) Rated Torque	25	30	90	108	127	326	388	460	545	1150	1380	1640	1950	2310	4000	4000	4000	4000	4000	4000
9V 额定转速 (r/min) Rated Speed	1625	1369	407	343	289	102	85	72	61	25	21	18	15.2	12.8	6.3	5.4	4.5	3.8	3.2	2.7
Gearbox Length "L" mm	15.8		15.8		19.4			23			26.6									

Only motor's technical specification

额定电压 Rated Voltage "V"	额定扭力 (g-cm) Rated Torque	额定转速 (rpm) Rated Speed	额定电流 (mA) Rated Current	空载转速 (rpm) No load Speed	空载电流 (mA) No load Current	额定功率 (w) Rated Output	重量 (g) Weight
6	7.5	6500	≤160	8000	≤65	0.488	18
9	7.0	6500	≤110	8000	≤50	0.455	18

**NOTE:**

- 1、马达可安装译码器  
1: If the customer need Encoder, we can assemble for you.
- 2、标准输出轴为 6.0mm, 其它尺寸可根据客户要求制作  
2: Standard output shaft is 6mm, the other parameters can be produced according to customer requirements