

LDM-22PG



适用范围:

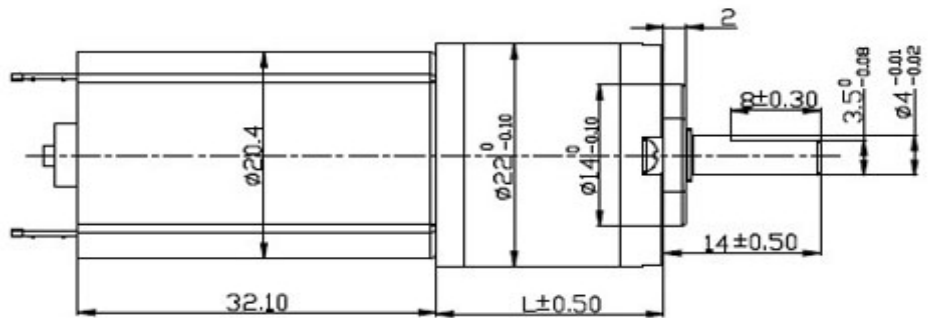
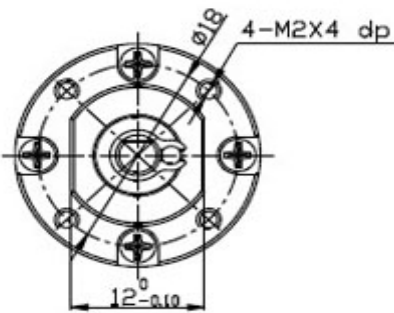
光学仪器、调焦照相机、指纹锁、自动节能器、水表IC卡、玩具礼品、办公设备、家用电器、自动执行器等。

Application

Optical instruments, cameras, fingerprint lock, automatic energy-saving devices, water meter IC card, toys, gifts, office equipment, etc.

外形尺寸图

Outside Dimension "MM"



Gear motor's technical specification

减速比 Ratio	1/4	1/4.75	1/16	1/19	1/22.5	1/64	1/76	1/90	1/107	1/256	1/304	1/361	1/428	1/509	1/1024	1/1216	1/1444	1/1714	1/2036	1/2418
12V 额定扭力(gf.cm) Rated Torque	79	94	285	339	401	1028	1221	1445	1719	3360	4000	4000	4000	4000	4000	4000	4000	4000	4000	4000
12V 额定转速 (r/min) Rated Speed	1675	1411	419	353	298	105	88	75	63	26	22	19	16	13	7	6	5	4	3	3
24V 额定扭力(gf.cm) Rated Torque	79	94	285	339	401	1028	1221	1445	1719	3361	4000	4000	4000	4000	4000	4000	4000	4000	4000	4000
24V 额定转速 (r/min) Rated Speed	1850	1558	463	390	329	116	97	82	69	29	24	21	17	15	7	6	5	4	4	3
Gearbox Length "L" mm	16.9		16.9			20.5			24.1			27.6								

Only motor's technical specification

额定电压 Rated Voltage "V"	额定扭力 (g-cm) Rated Torque	额定转速 (rpm) Rated Speed	额定电流 (mA) Rated Current	空载转速 (rpm) No load speed	空载电流 (mA) No load Current	额定功率 (w) Output Power	重量 (g) Weight
12	22	6700	≤200	8000	≤70	1.5	33
24	22	7400	≤110	9000	≤40	1.7	33

**NOTE:**

- 1、马达可安装译码器  
1: If the customer need Encoder, we can assemble for you.
- 2、标准输出轴为 6.0mm, 其它尺寸可根据客户要求制作  
2: Standard output shaft is 6mm, the other parameters can be produced according to customer requirements