

LDM-42PG



适用范围:

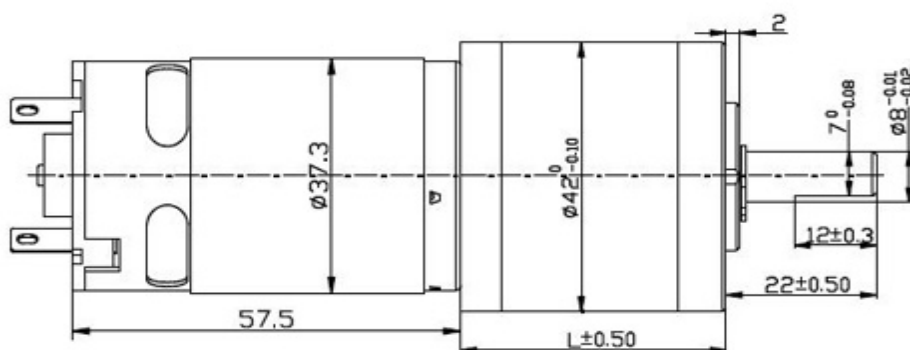
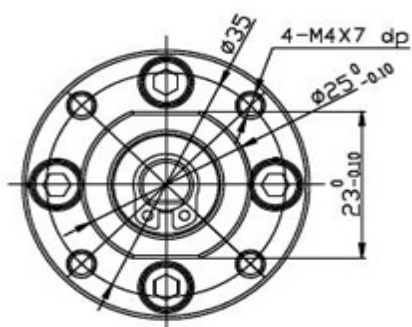
遥控窗帘、监控云台/云台、自动售货机/老虎机、验钞机、硬币退币机、点钞机、柔巾机、自动门、覆膜机、自动电视架、办公设备、家用电器。

Application

Automatic curtains, monitoring equipment, vending machines, currency detector/coin machine, money counter, automatic doors laminating machine, automatic machine TV stands, office equipment, household appliances, etc.

外形尺寸图

Outside Dimension



Gear box technical specification

级数 Reduction Stage	1 stages reduction	2 stages reduction	3 stages reduction	4stages reduction	5stages reduction
减速比 Reduction Ratio	3.7, 5.2	13.7, 19.2, 26.9	50.9, 71.2, 99.5, 139,	188, 264, 369, 516, 721,	699, 977, 1367, 1911, 2672, 3736,
Gearbox Length"L"mm	26.4	32.6	38.9	45.3	52.5
最大额定力矩 Rated Torque	3.0Kgf · cm	6.0Kgf · cm	8.0Kgf · cm	12Kgf · cm	20Kgf · cm
最大损坏扭力 Stall Torque	9.0Kgf · cm	18Kgf · cm	24Kgf · cm	36Kgf · cm	60Kgf · cm
效率 Efficiency	90%	81%	73%	65%	59%

Only motor' technical specification

马达型号 Motor Type	额定电压 V Voltage	空载 No Load		负载扭矩 At Max Efficiency				堵转扭矩 Stall	
		Current	Speed	Current	Speed	Torque	Output power	Torque	Current
		mA	r/min	mA	r/min	gf · cm	W	gf · cm	mA
LDM-555SA-1	12	≤140	3000	≤800	2200	150	3.3	600	3000
LDM-555SA-2	12	≤220	4500	≤1200	3300	220	7.2	880	4800
LDM-555SA-3	12	≤350	6000	≤2000	4500	300	13.5	1200	6000
LDM-555SA-4	24	≤70	3000	≤400	2200	150	3.3	600	1600
LDM-555SA-5	24	≤110	4500	≤600	3300	220	7.2	880	3000
LDM-555SA-6	24	≤180	6000	≤1000	4500	300	13.5	1200	4000

减速后的输出力矩 = 马达力矩 × 减速比 × 齿轮效率。输出转速 = 马达转速 / 减速比。

Planetary gear motor output torque = motor torque \* ratio \* gearbox efficiency, Output speed = motor speed / ratio