

LDM-56PG



适用范围

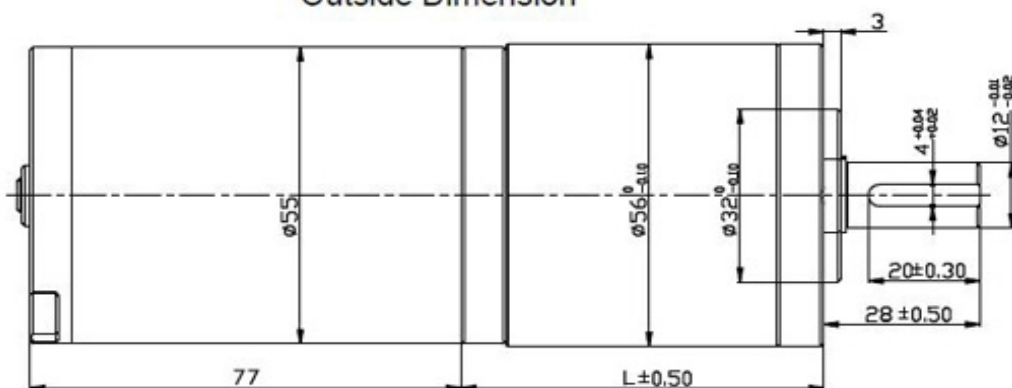
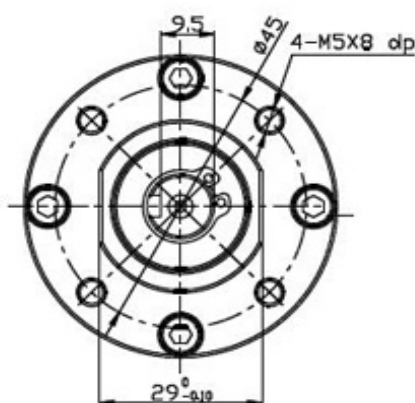
车库门、自动门、医疗器械、垃圾处理器、烘烤炉、烤炉、微型数控设备、蠕动泵、清洗机、游戏机、办公设备、家用电器、自动执行器。

Application

Garage doors, automatic doors, medical equipment, oven waste processor, micro-CNC equipment, peristaltic pumps, washing machines, game machines, office equipment, household appliances, automatic actuator

外形尺寸图

Outside Dimension



Gear motor technical specification

减速比 Reduction Ratio	1/3.6	1/4.3	1/13	1/19.2	1/22.7	1/46.7	1/69	1/102	1/121	1/198	1/276	1/326	1/409	1/513	1/843	1/995	1/1567	1/1966	1/2321	1/3439
12V 额定扭力 (gf.cm) Rated Torque	5.18	6.19	16.9	24.9	29.4	54.5	80.6	119	120	120	120	120	120	120	120	120	120	120	120	120
12V 额定转速 (r/min) Rated Speed	750	628	208	141	119	57.9	39.2	26.5	22.3	13.7	9.8	8.3	6.7	5.3	3.3	2.8	1.8	1.4	1.2	0.8
24V 额定扭力 (gf.cm) Rated Torque	5.18	6.19	16.9	24.9	29.4	54.5	80.6	119	120	120	120	120	120	120	120	120	120	120	120	120
24V 额定转速 (r/min) Rated Speed	750	628	208	141	119	57.9	39.2	26.5	22.3	13.7	9.8	8.3	6.7	5.3	3.3	2.8	1.8	1.4	1.2	0.8
Gearbox Length "L" mm	37.1			51.0			64.9			78.8			95.2							

Other ratio: 15.3, 18, 55, 65, 76.8, 81.6, 96.3, 168, 234, 249, 294, 347, 369, 435, 546, 644, 713, 896, 1260, 1327, 1248, 1175, 1474, 1850, 2913, 1387, 1740, 2184, 2740.

Only motor's technical specification

额定电压 (V) Voltage	额定扭力 (g-cm) Rated Torque	额定转速 (rpm) Rated Speed	额定电流 (mA) Rated Current	空载转速 (rpm) No load Speed	空载电流 (mA) No load current	额定功率 (w) Output power	重量 (g) Weight
12	1600	2700	≤7000	3600	≤900	43	700
24	1600	2700	≤3500	3600	≤500	43	700

NOTE:

马达可安装译码器  
 If the customer need Encoder, we can assemble for you.