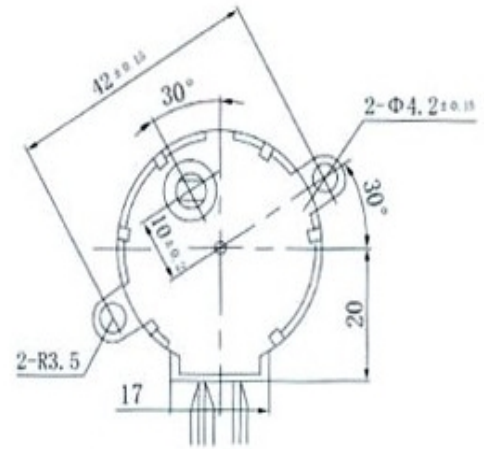
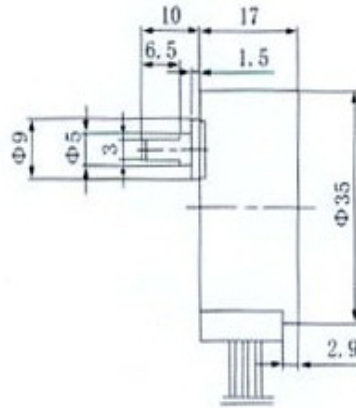




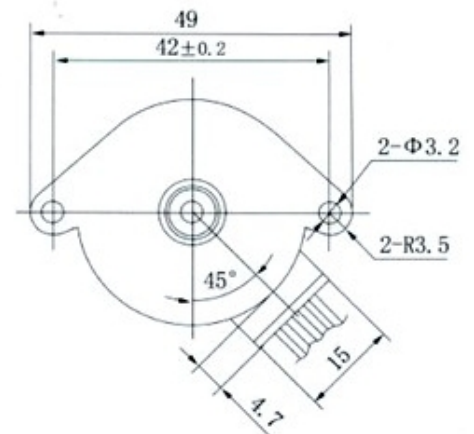
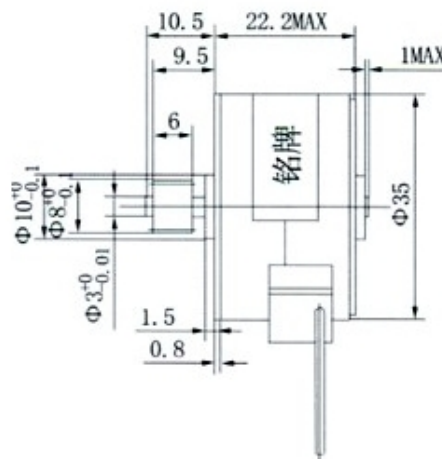
35BYJ46



Model	Rated Voltage (DCV)	Resistance Ω/Phase (at25°C)	Max. Freeload Pull-in Frequency (PPS)	Max. Freeload Pull-out Frequency (PPS)	Pull-in Torque (mN.m)	Operation Frequency (PPS)	Detent Torque (mN.m)	Temperature Rise (K)	Noise (dB)	Step Angle (1-2phase)	Insulation Class
35BYJ46	12	110	≥350	≥800	≥98	100	≥39.2	≤40	≤35	7.5 ° /85	E
35BYJ46	12	130	≥350	≥800	≥78.4	100	≥39.2	≤40	≤35	7.5 ° /85	E
35BYJ46	12	200	≥350	≥800	≥58.8	100	≥39.2	≤40	≤35	7.5 ° /85	E
35BYJ46	12	150	≥350	≥800	≥78.4	100	≥39.2	≤45	≤40	7.5 ° /85	E



35BY412L



Model	Rated Voltage (v)	Resistance (ohm)	Holding Torque (gf.cm)	Detent Torque (gf.cm)	Rotor Inertia (g.cm ²)	Number of Phase	Step Angel 2-2 Phase Excitation	Step Angel Precision	Height (mm)
35BY412L	24	5	450	90	7.8	4	7.5	±0.5	22.2

Remarks: the above dimensions and function parameters are just parts of our products. We can do OEM and ODM.