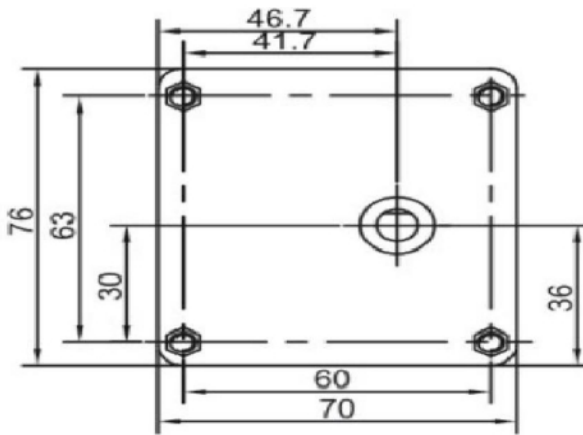


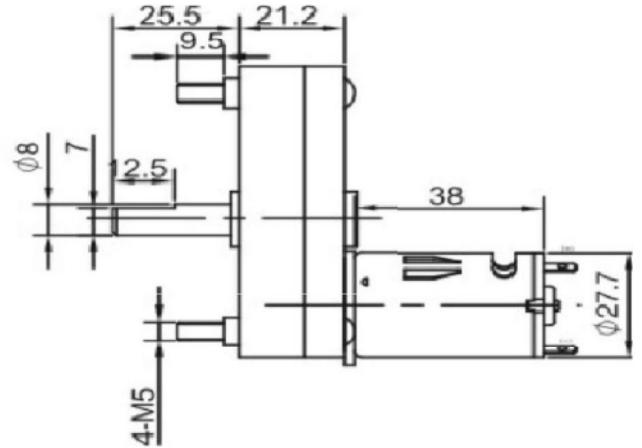
Model	Voltage		No Load		At Maximum Efficiency				Stall			
	Operating Range	Nominal	Speed	Current	Speed	Current	Torque		Output	Torque		Current
			RPM	A	RPM	A	g.cm	mN.m	W	g.cm	mN.m	A
LDM-76GM	3~12VDC	12.0VDC	9.6	0.10	7.6	0.38	16410	1608.8	1.28	80000	7843.1	1.5
LDM-76GM	6-24VDC	24.0VDC	21	0.08	17	0.35	9130	895	1.6	50000	4901.9	1.6

Drawing

LDM-76GM



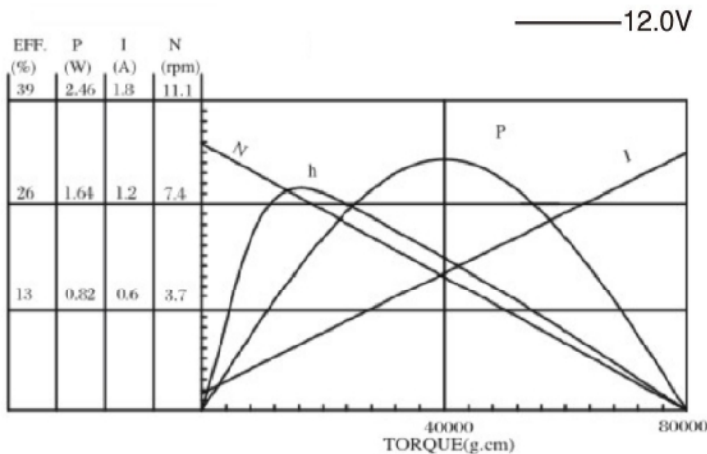
WEIGHT:416.0g(APPROX)



上述尺寸单位:mm

Performance Curve

LDM-76GM



Description

Application:

automation equipment, Shredder,
 automatic door, vending machine,
 motorized curtains, ATM machines.

典型应用

自动化设备
 碎纸机, 自动门, 贩卖
 机, 自动窗帘, ATM机等

P. S. :

The above motor performance is only for reference purposes. We can design the motors according to customers' requirements of specific motor parameters, shaft length, lifetime etc.

备注:

上述电机性能仅供参考, 具体电机性能参数, 轴长, 寿命要求, 各项认证要求可根据客户的实际要求进行设计。